


WARNING: RISK OF FIRE AND ELECTRICAL SHOCK. FIXTURE MUST BE INSTALLED BY A QUALIFIED ELECTRICIAN ONLY IN ACCORDANCE WITH NATIONAL, LOCAL BUILDING AND ELECTRICAL CODES. DISCONNECT POWER AT ELECTRICAL PANEL BEFORE SERVICING.



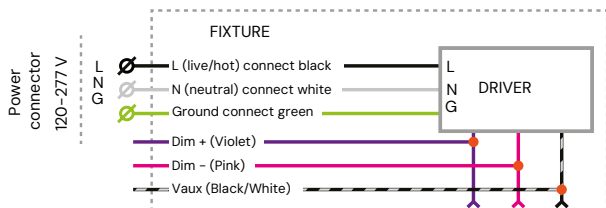
15130 INSTALLATION INSTRUCTIONS FOR: INDUSTRIAL KITCHEN HIGH BAY PENDANT UFO LED LIGHT

Please read all instructions prior to installation and keep for future reference!

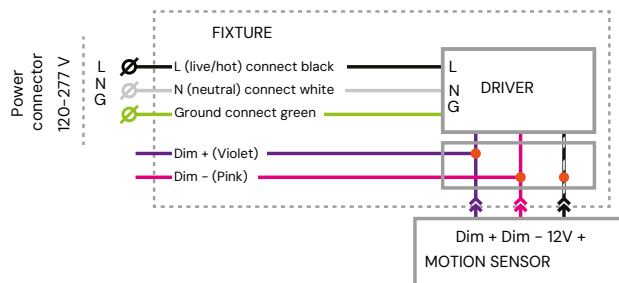
1. Read and understand instructions completely before installing this luminaire.
2. If you are unfamiliar with electrical wiring have a qualified licensed electrician install this luminaire for you.
3. Minimum 194°F supply conductors. Consult a qualified electrician to ensure correct branch circuit conductor.
4. This product must be installed in accordance with the applicable installation code by a person familiar with the construction and operation of the product and the hazards involved.
5. Do not install in a hazardous atmosphere, except where the ambient temperature does not exceed the rated operating temperature of the fixture.
6. Wear gloves to prevent cuts or abrasions when removing from carton, handling, installing, and maintaining this product.

ELECTRICAL SCHEME DIAGRAM

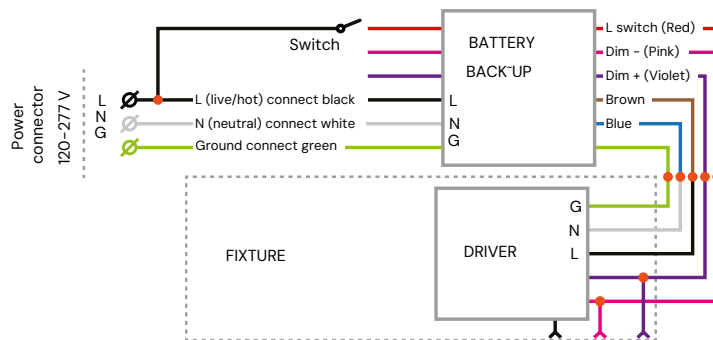
15130



15130 with Motion Sensor



15130 with External Emergency Battery



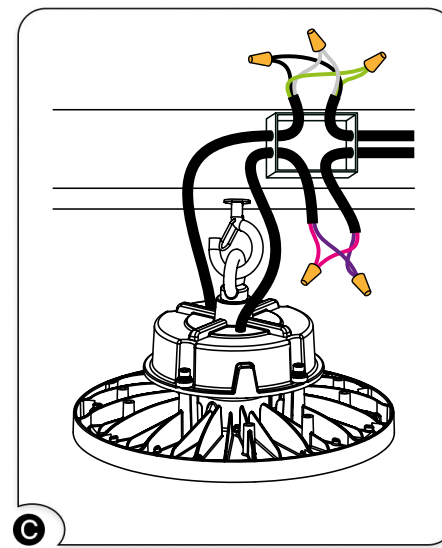
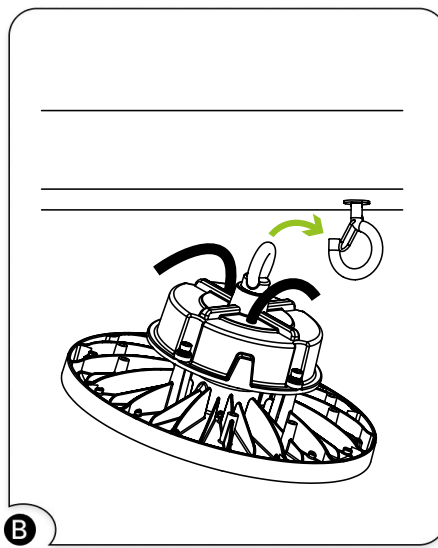
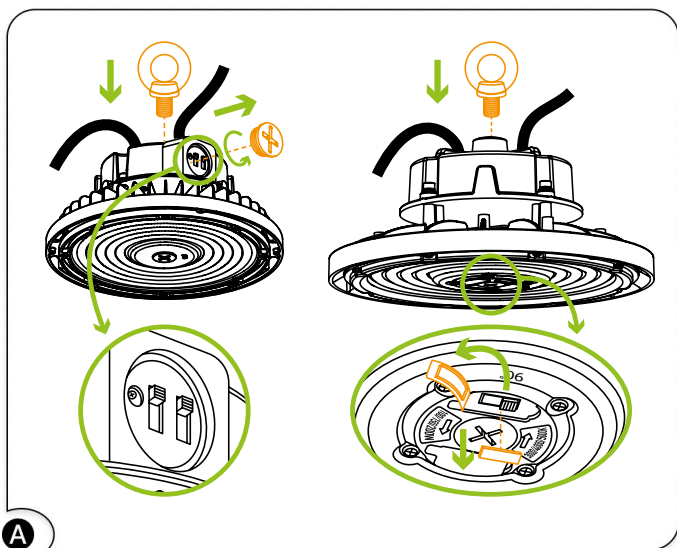
WARNING:



RISK OF FIRE AND ELECTRICAL SHOCK. FIXTURE MUST BE INSTALLED BY A QUALIFIED ELECTRICIAN ONLY IN ACCORDANCE WITH NATIONAL, LOCAL BUILDING AND ELECTRICAL CODES. DISCONNECT POWER AT ELECTRICAL PANEL BEFORE SERVICING.

15130 INSTALLATION INSTRUCTIONS FOR: INDUSTRIAL KITCHEN HIGH BAY PENDANT UFO LED LIGHT

- A. Screw on the mounting ring (included) and tighten it. For 100–300W models unscrew the knock out on the driver box and adjust color temperature or/and power by simple switch. For 500W models open rubber caps on the middle of the lens, take off caps inside and adjust color temperature or/and power by simple switch.
- B. Clip the fixture on the hook in the ceiling using the mounting ring.
- C. Connect the wires: Black to Black, White to White, Green to Green. Secure the connection with wire nuts.

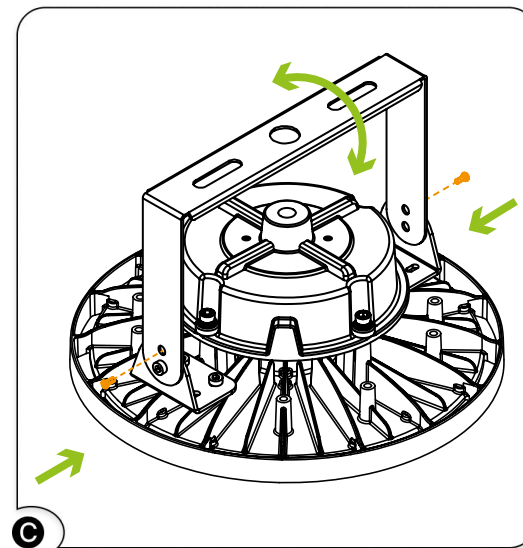
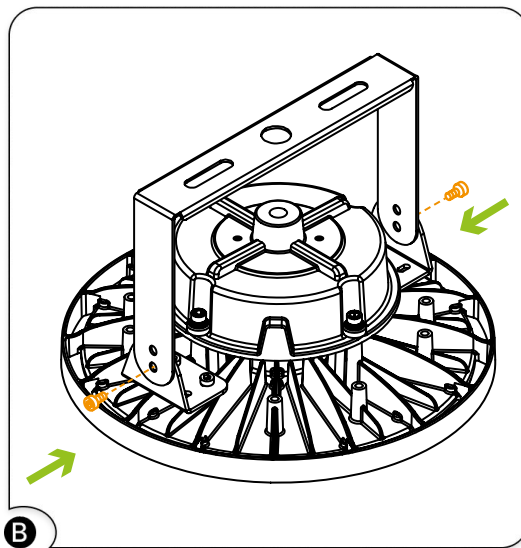
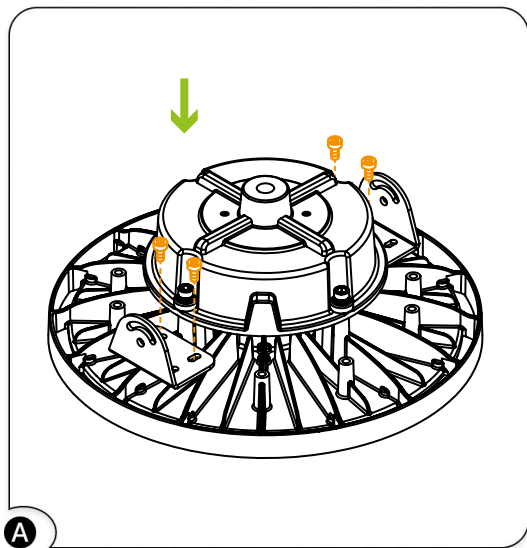




15130 INSTALLATION INSTRUCTIONS FOR: INDUSTRIAL KITCHEN HIGH BAY PENDANT UFO LED LIGHT

SURFACE MOUNT INSTALLATION

- Use four M5x9/16" screws (included) to install bracket swivel on the top of the fixture's body.
- Use two M6x5/8" screws (included) to secure bracket on the swivels.
- Adjust the light direction and secure it using two M5x9/16" screws with screw-nuts (included).

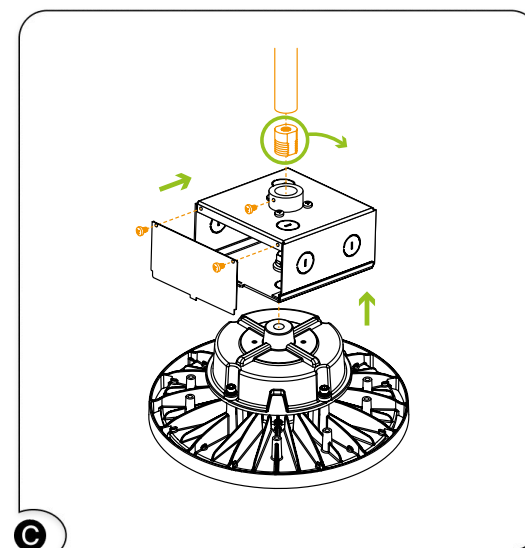
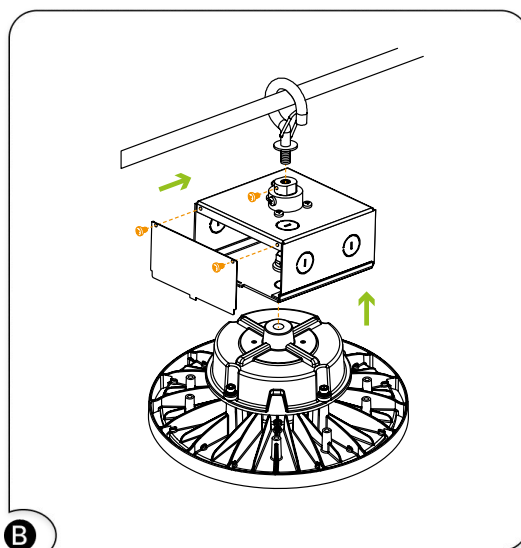
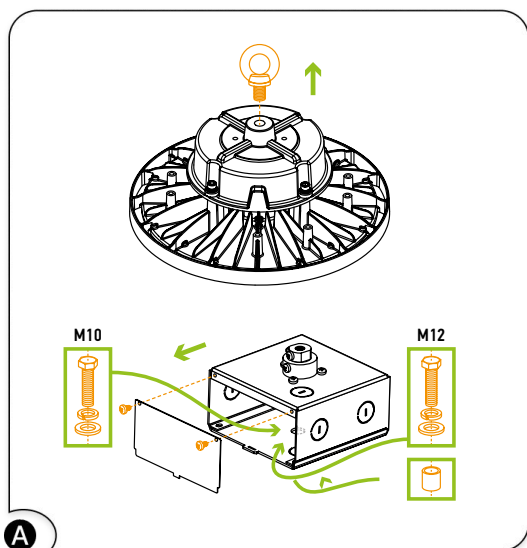




15130 INSTALLATION INSTRUCTIONS FOR: INDUSTRIAL KITCHEN HIGH BAY PENDANT UFO LED LIGHT

PENDANT WITH JUNCTION BOX MOUNT

- A. Uninstall the mounting ring from the fixture. Unscrew 2 screws and open the side plate on the Pendant Junction box. Install M10 or M12 Mounting screw depending of the fixture's thread size.
- B. Mounting hook installation: Loosen security screw and install the spring hook into the upper installation hole of the Pendant J-box and secure it with screw. Secure Pendant J-box to the fixture, and then secure to the ceiling. Close and secure side plate back into place.
- C. Pendant installation: Uninstall adapter from pole mounting hole. Secure the Pendant J-box and fixture to the pole. Secure fixture to the Pendant J-box. Close and secure side plate back into place.

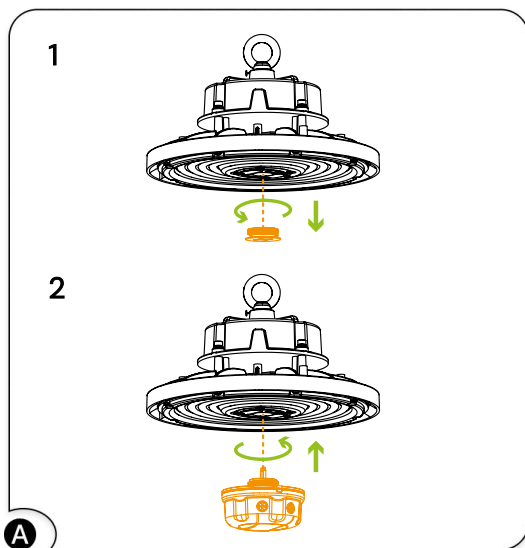


WARNING: RISK OF FIRE AND ELECTRICAL SHOCK. FIXTURE MUST BE INSTALLED BY A QUALIFIED ELECTRICIAN ONLY IN ACCORDANCE WITH NATIONAL, LOCAL BUILDING AND ELECTRICAL CODES. DISCONNECT POWER AT ELECTRICAL PANEL BEFORE SERVICING.

15130 INSTALLATION INSTRUCTIONS FOR: INDUSTRIAL KITCHEN HIGH BAY PENDANT UFO LED LIGHT

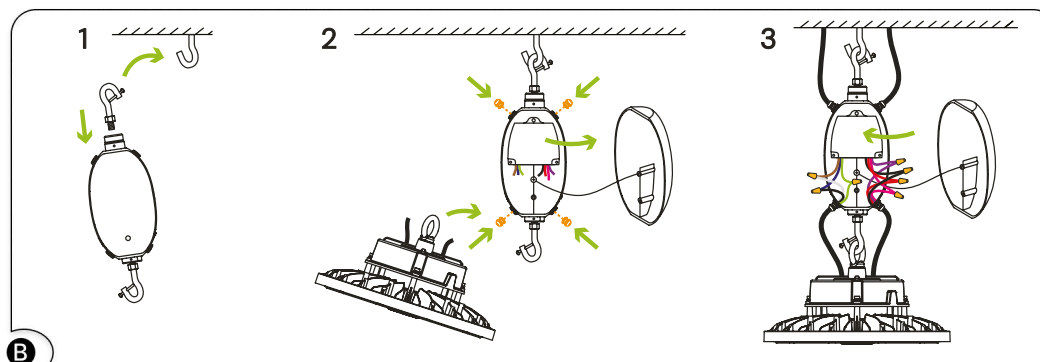
A. INFRARED MOTION SENSOR

1. Unscrew the microwave sensor base cap.
2. Insert and twist the sensor until it is tight on the base surface.



B. EXTERNAL EMERGENCY BATTERY

1. Install the G-hook to the top thread hole of the battery back-up and secure with the screw. Attach the battery back-up with G-hook to the ceiling hook.
2. Loosen the screw on the enclosed hook on the bottom of the emergency back-up, attach the ring on the fixture to the hook and tighten screw back. Open the cover and remove the plastic covers and install the five waterproof connectors.
3. Pull all wires through the waterproof connectors into the chamber of emergency driver. Connect wires: Brown, Blue, Green with AC input wires of the fixture. Connect dimming wires Purple and Pink with LED driver input dimming wires. Connect Black, White and Red wires of the battery back-up with AC main Power cord. Secure connection with wire nuts and lock up the cover of junction box.



C. DIFFUSER AND LENS INSTALLATION

1. Install the diffuser, tighten the screws.
2. Attach the conical lens to the included clamp.

